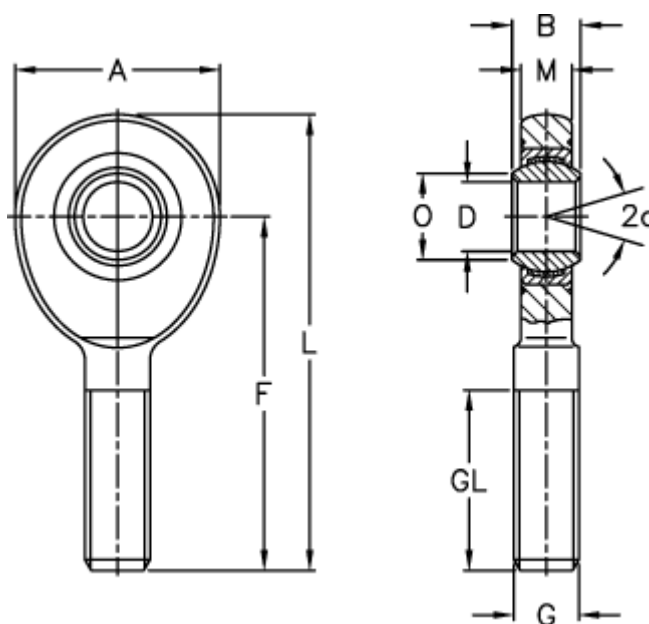


Article number: 03466015  
 Description: Fluro Rod end EA 15D  
 Note: 15

## Measures



A	= 40	L	= 83
a (degrees)	= 8	M	= 10
B	= 12	O	= 18.4
D	= 15	Static drive kN	= 39.5
Dynamic drive (kN)	= 17.5	Weight	= 140
F	= 63		
g	= M 14		
GL	= 34		